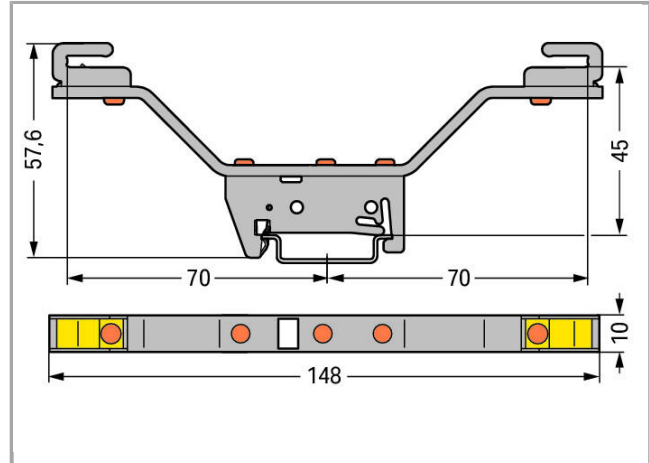
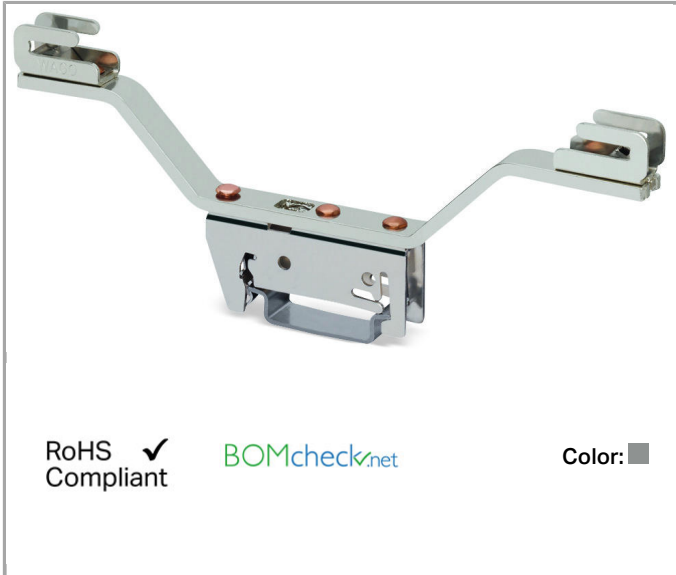


Data sheet | Item number: 790-311

Busbar carrier; for busbars Cu 10 mm x 3 mm; both sides, angled; for DIN 35 rail



790-311



Data

Technical Data

Main product function

Shield termination

Material Data

Weight

59.6 g

Commercial data

Product Group

2 (Terminal Block Accessories)

Country of origin

DE

GTIN

4045454897871

Customs Tariff No.

39269097900

Compatible products

N-busbar



Item no.: 210-133

Busbar; tin-plated; 1000 mm long; Cu 10 mm x 3 mm

210-133



Item no.: 790-134

Busbar; tin-plated; 50 mm long; Cu 10 mm x 3 mm

790-134



Downloads

Documentation

Bid Text

790-311	doc 23.6 kB	Download
---------	----------------	----------

CAD/CAE - Smart Data

CAD data

3D Download 790-311	URL	Download
---------------------	-----	----------

Subject to changes.
